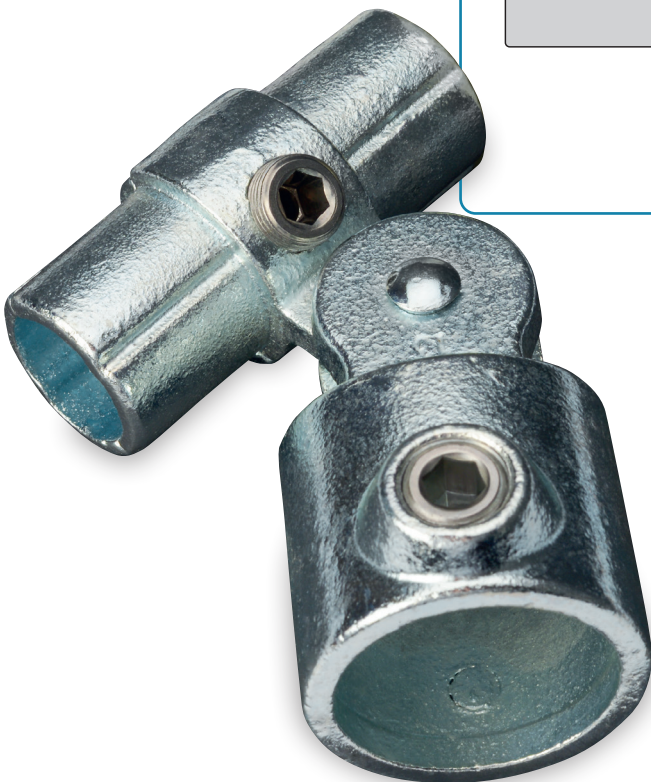
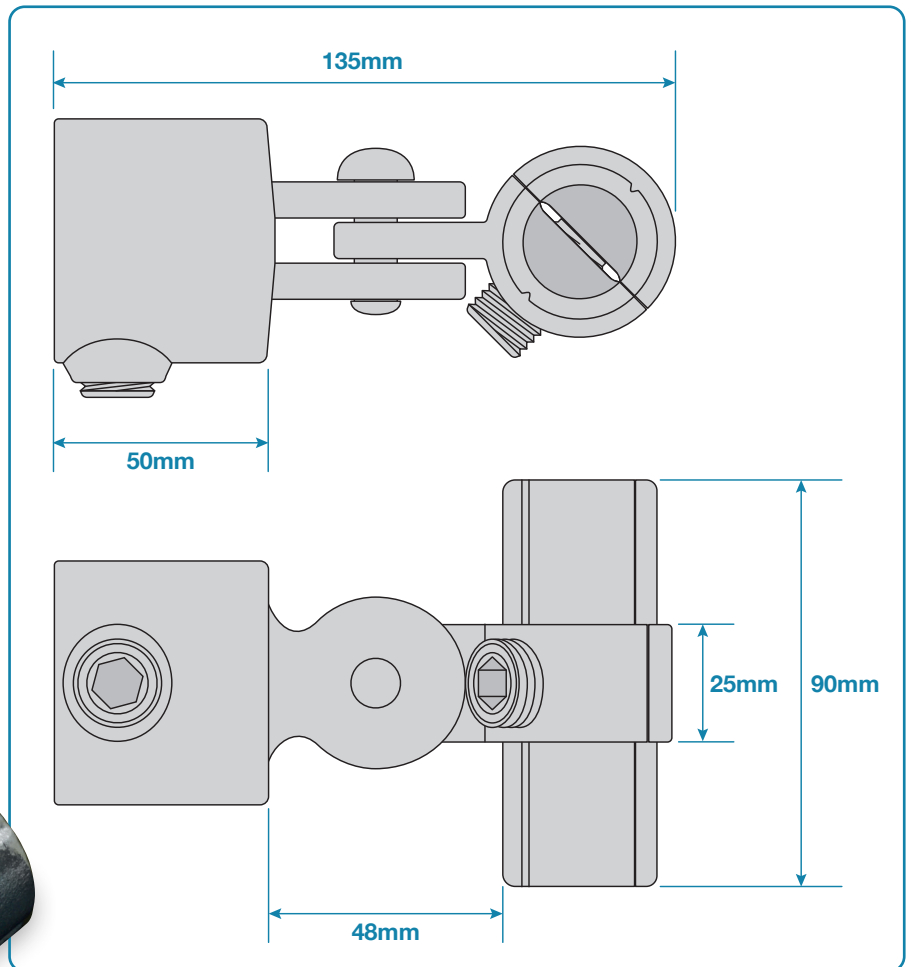


A DDA assist expanding fitting with male lug and swivel connector. To suit 42.4mm tube only. Designed to create a handrail support. Can be used to create handrail supports of different slope gradients.



**Please Note:** Dimensions for guide only. Components may vary slightly from the sizes shown.

Updated: 19-05-2026