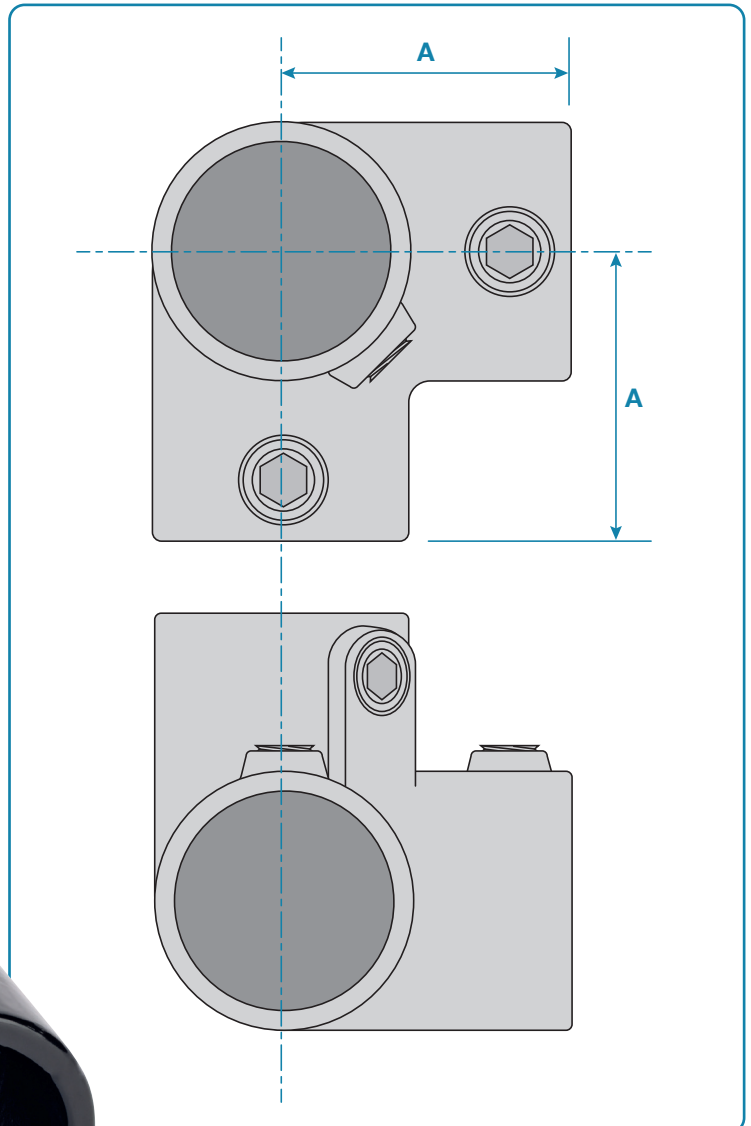


A three way enclosed 90° corner joint, typical use is on straight and level guardrail for connecting the top rails to the vertical at a 90° corner. It can also be used to create enclosed corner joints on other rectangular structures.



**Please Note:** Dimensions for guide only. Components may vary slightly from the sizes shown.

Updated: 30-07-2024

Code	A	Weight
KCK128C	60mm	0.84kg