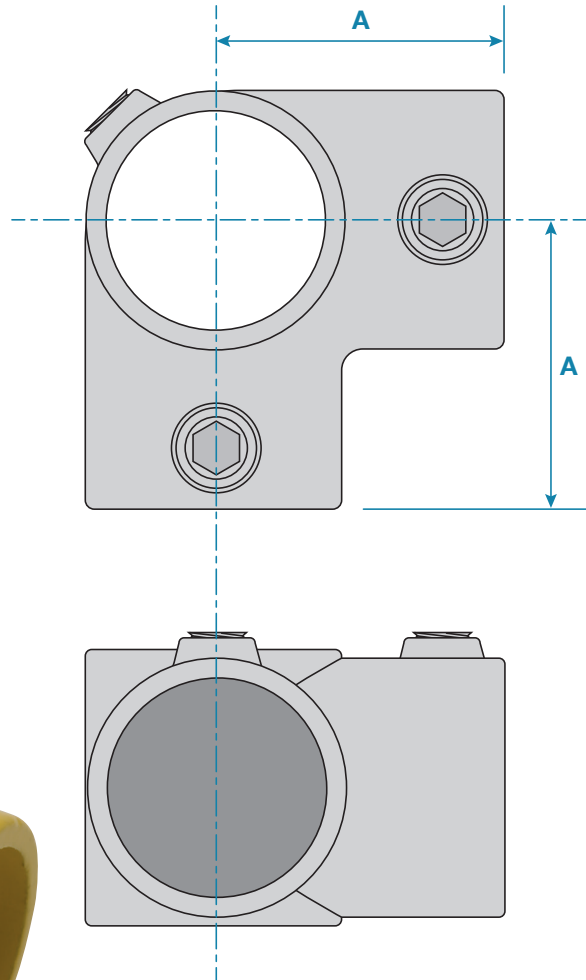


A 90° corner joint with the vertical passing through the fitting, typical use is on straight and level guardrail for connecting the mid/lower rail to the vertical at a 90° corner. It can also be used in a similar way on other rectangular structures.



Please Note: Dimensions for guide only. Components may vary slightly from the sizes shown.

Updated: 30-07-2024

Code	A	Weight
KCY116B	48mm	0.40kg
KCY116C	60mm	0.65kg
KCY116D	68mm	0.84kg