

LOCINOX

Let's make it better together

HYDRAULIC GATE CLOSERS ENGINEERED FOR OUTDOORS

Discover our innovative solutions





HYDRAULIC GATE CLOSERS

DESIGNED FOR DURABLE USE OUTDOORS

Our high-tech hydraulic gate closers make your life easier. A self-closing gate guarantees comfort and a peaceful sense of safety. Besides, these gate closers do not require any maintenance. In addition to the attractive design, the 100% corrosion resistance and the innovative mechanics, every single gate closer undergoes a thorough testing before shipping.

Discover all about it.



SAMSON-2

Hydraulic gate closer for large gates

P. 9



PUMA hinge included

TIGER

Compact self-closing hinge and gate closer in one

P. 12



DINO hinge included

MAMMOTH

Stylish hydraulic gate closer for heavy gates

P. 13



2 railsets included

LION

Compact and highly multifunctional gate closer, fits every gate situation

P. 14



RHINO

Aesthetical 180° gate closer with direct connection to the Locinox hinge

P. 15



2 railsets included

VERTICLOSE-2

Powerful and all-round hydraulic gate closer for every gate situation

P. 16



Incl. 2 railsets

VERTICLOSE-2 WALL

Powerful and all-round hydraulic gate closer for wall mounting

P. 17



**VANDAL
PROOF**



**A SILENT
OPENING &
CLOSING**

EXCEPTIONAL
PRECISE ADJUSTMENT OF
SPEED & FINAL SNAP
FOR YOUR
COMFORT




11

FEATURES
SETTING LOCINOX
GATE CLOSERS APART!




**CHILD
& PET
FRIENDLY**




DURABLE
TESTED FOR
500 000
MOVEMENTS



100%
HYDRAULIC
**GREEN &
MAINTENANCE
FREE**

EXTREME
WEATHERPROOF
CONSTANT CLOSING SPEED
-30° ▶ +85° C





SAFE
FOR

**WHEELCHAIR
USERS**



MORE THAN
85
COUNTRIES
ALL OVER THE WORLD

**EFFICIENT
INSTALLATION**
FAST & EASY



**3 YEAR
WARRANTY**

EXTREME DURABILITY & MULTIFUNCTIONALITY

Hydraulic gate closers will transform any gate into a self-closing solution. Comfort, safety and peace of mind are guaranteed thanks to pure hydraulic power.

High quality components ensure Locinox closers to be 100% weatherproof, maintenance-free and extremely durable. A constant and consistent functioning is hereby guaranteed during an ice cold winter or a sweltering summer.

The unique concept ensures an easy and efficient fixation thanks to the patented Quick-Fix system. Moreover, closing speed and final snap can be adjusted very precisely and 100% to your customers' wishes.

**Order fast & easy on
our Loc-Eshop.
Shipment within 24h.**

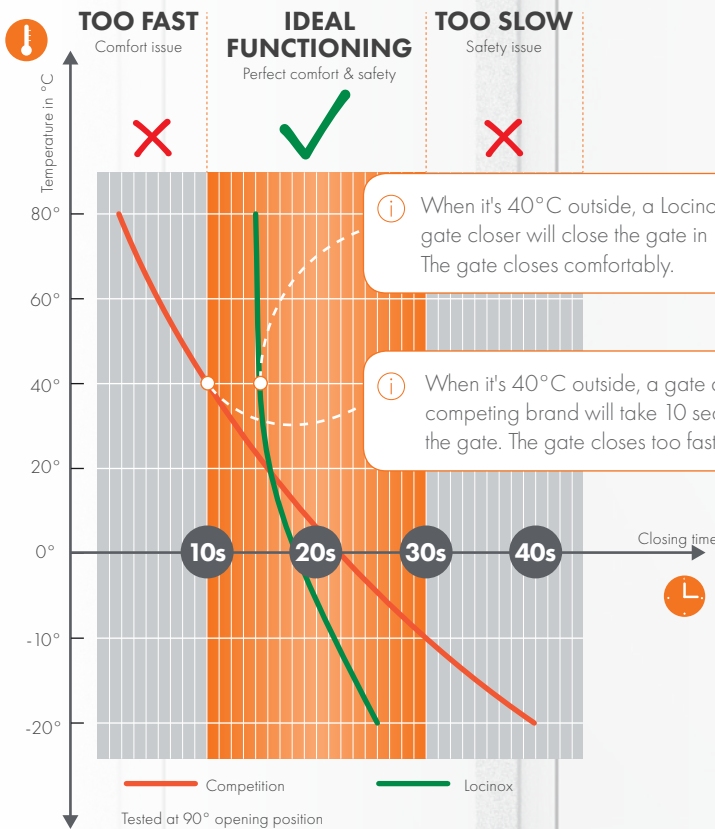
LOC E SHOP
order when it suits you

CUTTING EDGE SELF-CLOSING TECHNOLOGY

1 ALWAYS A CONSTANT CLOSING SPEED FROM FREEZING COLD TO OVEN-HOT

If your gate closes too slow, children or pets could sneak through. If your gate closes too fast, it might become a problem for wheelchair users. A loud slamming gate is not only annoying for you or your neighbours, it's also harmful for your gates.

The Active Thermal System, our own cutting-edge development, guarantees a constant closing speed, regardless of the outside temperature.



2 ADJUST SPEED AND FINAL SNAP PRECISELY

Some customers prefer their gate to close slowly, while others want it to go a little faster. No problem! All of our gate closers can easily be adjusted in a matter of seconds to the wishes of your customers.

The final snap allows the gate to speed up a little at the end: this way, you are reassured the gate is properly closed. The final snap can easily be adjusted to any need.





3 FUNCTIONS COMFORTABLY

The in-house developed High-Helix screws guarantee a consistent functionality and ensure a comfortable opening speed for the elderly or disabled.

4 DUST- & WATERPROOF

Our gate closers are equipped with rotary seals. These seals protect the gate closers from dirt or dust particles intruding the mechanism, assuring your customers of worry-free functioning for many years to come.

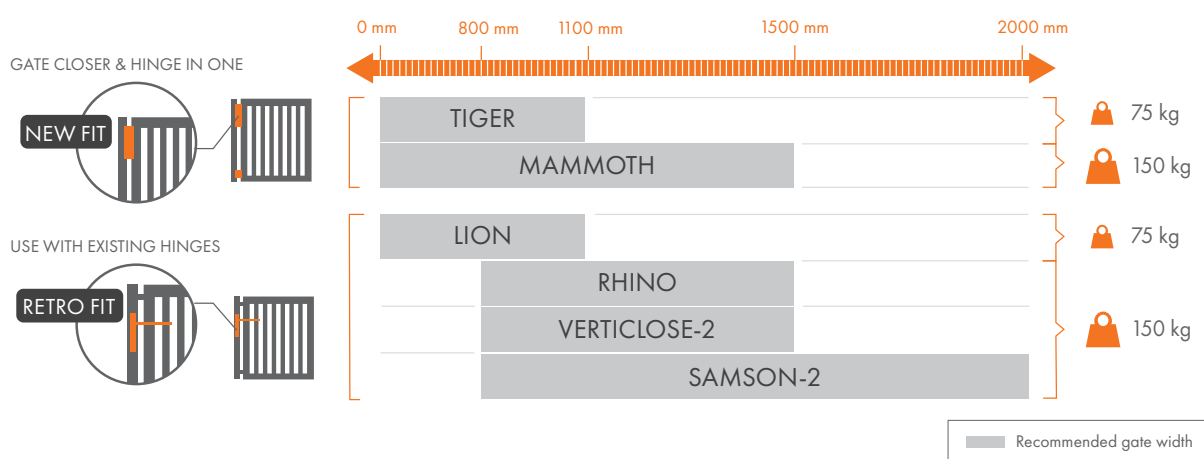
5 CLOSES EVERY TIME

The powerful torsion spring guarantees the necessary closing force. Therefore, your gate will always close: unaffected by strong winds, the width of your gate wing or the outside temperature. You can rest assured.

6 100% PROTECTED

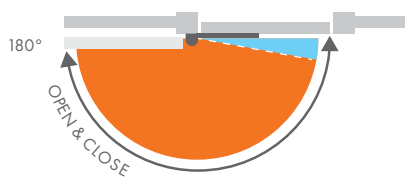
The aluminium powdercoated casing guarantees full protection against any weather conditions. The housing is windproof, frost-free and dust- & waterproof, allowing your gate closer to function perfectly.

A GATE CLOSER FOR EVERY GATE

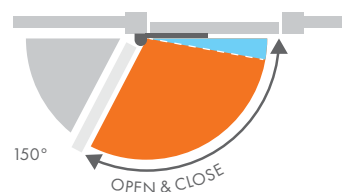


OPENING ANGLE

ALL LOCINOX GATE CLOSERS



SAMSON GATE CLOSER



ACCESS CONTROL SOLUTIONS FOR ANY GATE



SELF-CLOSING RESIDENTIAL GATE WITH ELECTRIC STRIKE

LION:

Compact and highly polyvalent gate closer, fits every gate situation

SLIMSTONE:

Robust, frost-free and watertight keypad (IP68)

LAKQ U2:

Bolt-on gate lock

MODULEC-SA:

Bolt-on electric strike with Fail Close or Fail Open functionality

TRICONE:

Design LED-light for the posts (IP54)



SELF-CLOSING PEDESTRIAN GATE WITH ELECTRIC LOCK

SAMSON-2:

Hydraulic gate closer for large gates

GBMU4D:

4-dimensional, adjustable hinge for 180°

SLIMSTONE:

Robust, frost-free and watertight keypad (IP68)

LIKQ U2:

Bolt-on electric lock with Fail Close functionality

SHKL QF:

Adjustable security keep in stainless steel

TRICONE:

Design LED-light for the posts (IP54)

RETRO FIT

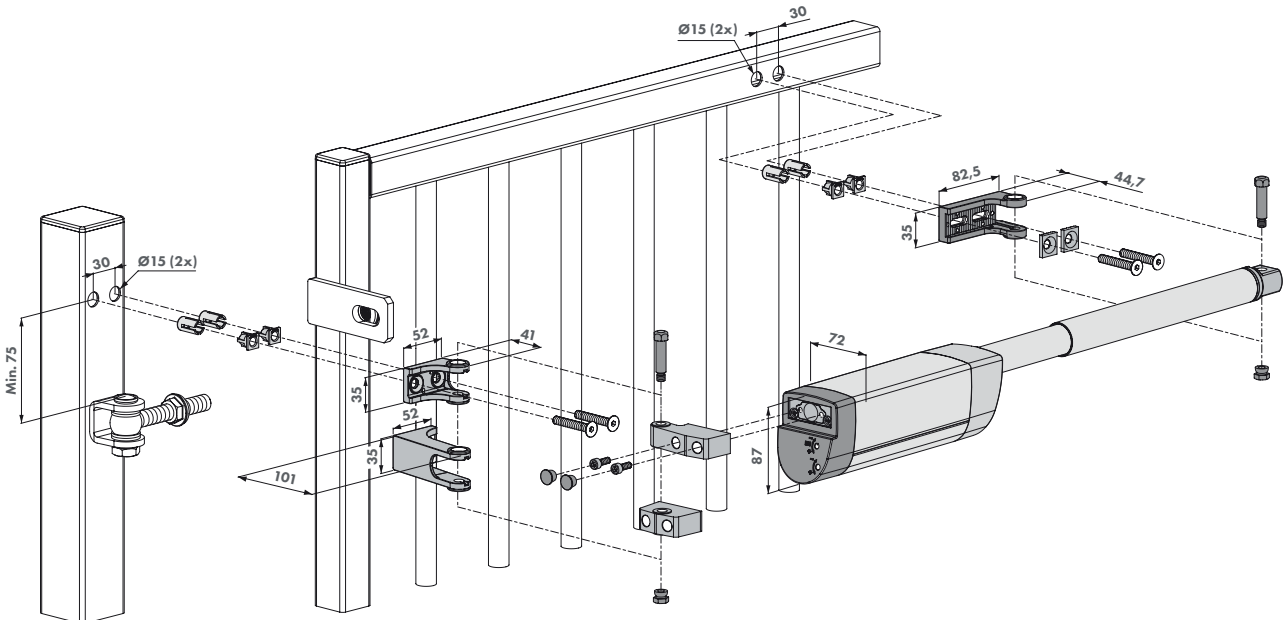
SAMSON-2 (patented)

HYDRAULIC GATE CLOSER FOR LARGE GATES

A simple installation and flexible operation make it the perfect fit for larger gates. Samson-2 is a polyvalent hydraulic gate closer developed with high quality components for an exceptional long life span. Temperature changes do not affect the smooth and constant functionality. The set of mounting brackets that are delivered with the closer make Samson-2 fit for any gate.



- ✓ Gate closer with opening angle up to 150° with adjustable closing speed and final snap
- ✓ Specifically designed for outdoor use: industrial quality
- ✓ Powdercoated aluminium casing
- ✓ Constant closing speed in hot or cold weather
- ✓ For left- or right-turning gates
- ✓ Firmly fixed with the patented Quick-Fix mountings



★ Recommended installation tools



DRILLVISE-2
P. 19



DRILLVISE-4
P. 19

Pick your colour

Order code

ZILV

SAMSON-2

24h
SHIPPING





NEW FIT

TIGER (patented)

COMPACT HINGE AND GATE CLOSER IN ONE

180° self-closing hydraulic hinge with precise adjustments on speed and final snap. The aluminium powdercoated housing and unique high-tech components allow the Tiger to function perfectly in any weather situation. We highly recommend the Tigerdrill for an even more efficient installation. The Puma hinge is included.



PUMA hinge included



- ✓ Self-closing 180° hinge with adjustable speed and final snap
- ✓ Discreet and aesthetic look
- ✓ Powdercoated aluminium housing
- ✓ Constant closing speed in hot or cold weather
- ✓ Vandal-proof
- ✓ For left- or right-turning gates
- ✓ Firmly fixed with the patented Quick-Fix mountings

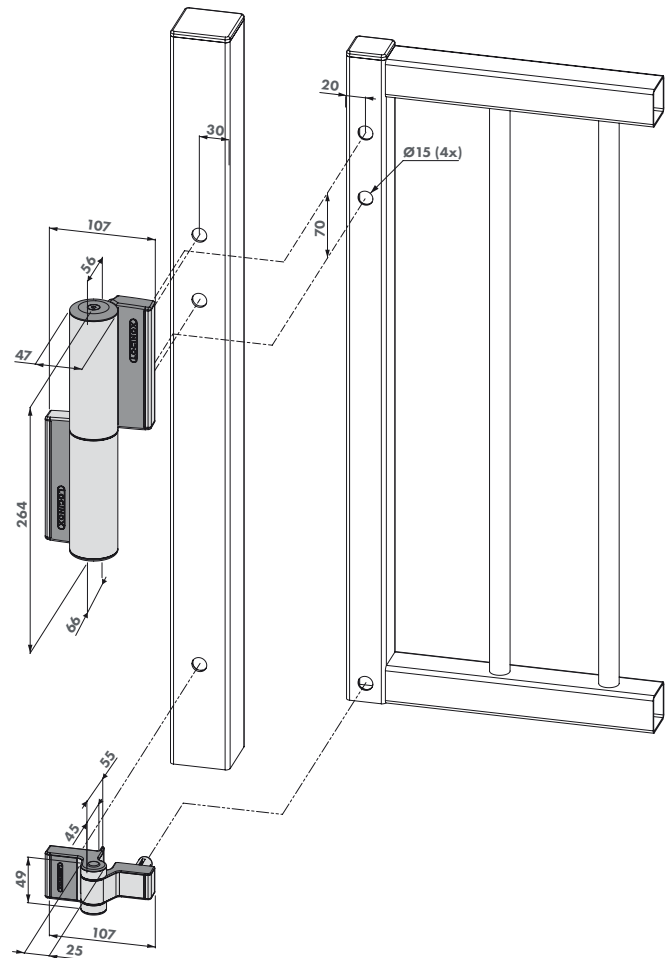
Pick your colour

Order code

ZILV 9005

TIGER

24h SHIPPING



★ Recommended installation tools



TIGERDRILL
P. 18



DRILLVISE-2
P. 19



DRILLVISE-4
P. 19



NEW FIT



DINO hinge included

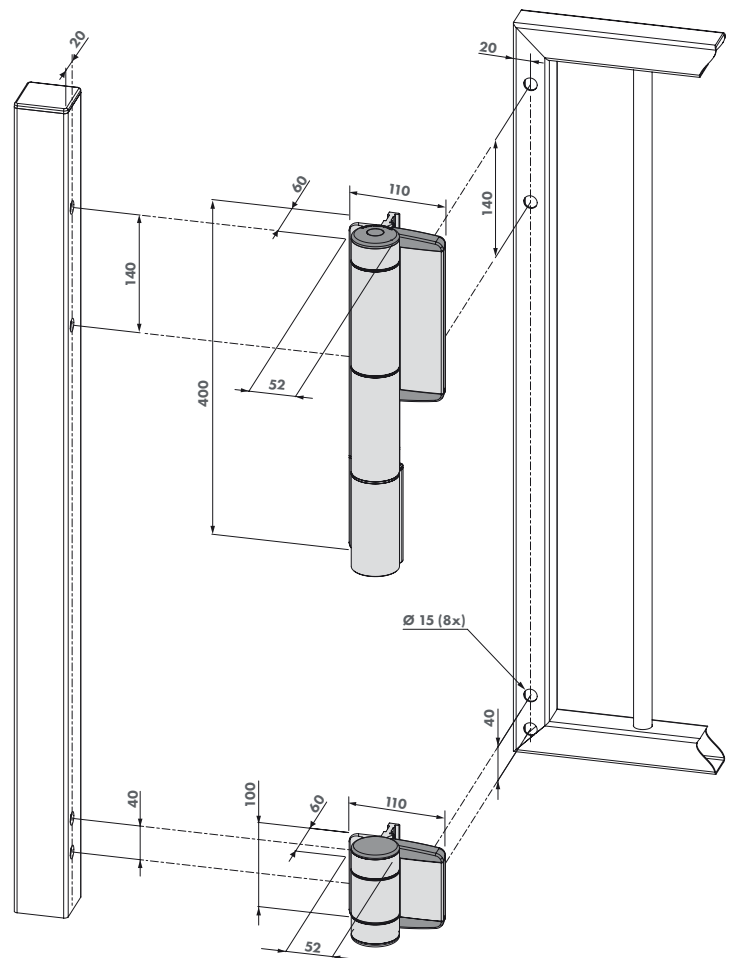
MAMMOTH (patented)

STYLISH HYDRAULIC GATE CLOSER FOR HEAVY GATES

Elegant and powerful self-closing gate closer for 180° gate situations. The Mammoth is a real muscleman, perfectly fit for heavy gates up to 150 kg. It is equipped with a double bearing for an extremely comfortable functionality. The Active Thermal System guarantees a constant closing speed, unaffected by weather conditions. The Dino hinge is included.



- ✓ Self-closing 180° hinge with patented hydraulic damping
- ✓ Discreet and aesthetic look
- ✓ Powdercoated aluminium casing
- ✓ Constant closing speed in hot or cold weather
- ✓ Low opening resistance: max. 15 Nm
- ✓ Vandal-proof
- ✓ For left- or right-turning gates
- ✓ Firmly fixed with the patented Quick-Fix mountings



Pick your colour

Order code

ZILV 9005

MAMMOTH-180

24h SHIPPING



★ Recommended installation tools



DRILLVISE-2
P. 19



DRILLVISE-4
P. 19

RETRO FIT

NEW



2 railsets included

LION (patented)

COMPACT AND POLYVALENT GATE CLOSER, FITS EVERY GATE SITUATION

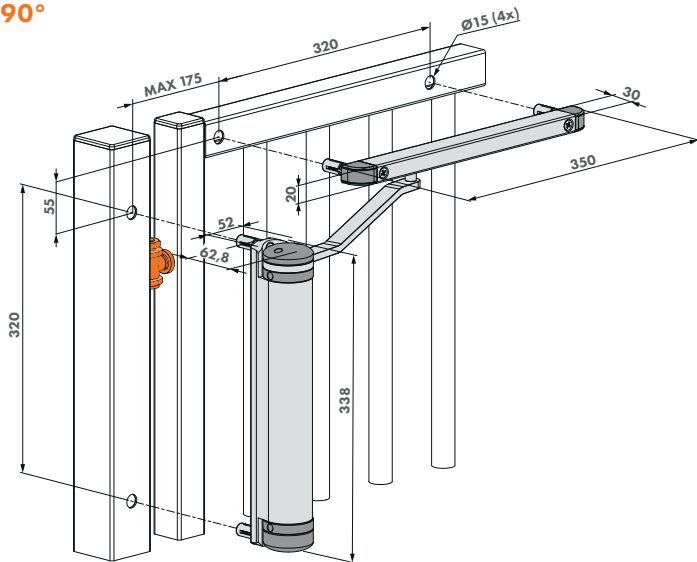
The attractive and compact Lion gate closer is unique in its kind. This hydraulic all-rounder is fit for every possible gate situation. Moreover, both 90° and 180° railsets are included in the package, allowing for more flexibility on site. The powdercoated aluminium housing combines an handsome look with a spotless functioning for many years. Choose the Lion-VTC Drill for an even faster installation.



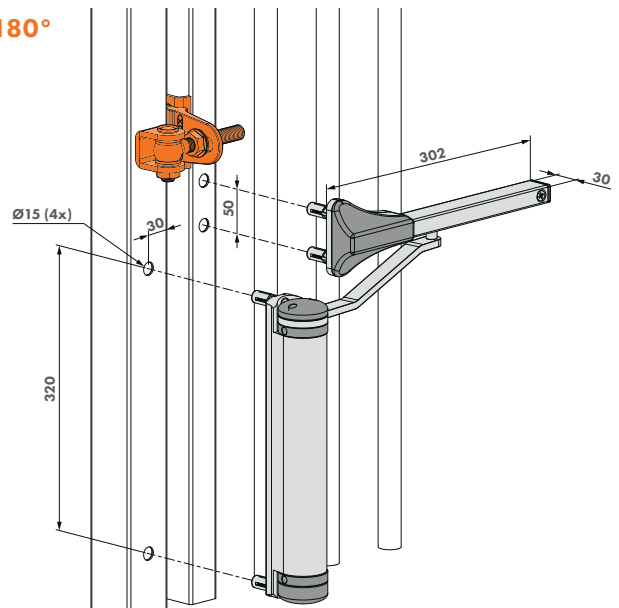
- ✓ Self-closing 180° hinge with adjustable speed and final snap
- ✓ 2 railsets included: 90° and 180°
- ✓ Compact & elegant design
- ✓ Powdercoated aluminium housing
- ✓ Constant closing speed in hot or cold weather
- ✓ Integrated pre-tension for extremely smooth installation
- ✓ For left- or right-turning gates
- ✓ Firmly fixed with the patented Quick-Fix mountings



90°



180°



★ Recommended installation tools



LION-VTC DRILL

P. 18



DRILLVISE-2

P. 19



DRILLVISE-4

P. 19

Pick your colour

Order code

ZILV 9005

LION

24h SHIPPING



RETRO FIT

NEW

RHINO (patented)

AESTHETICAL 180° GATE CLOSER WITH DIRECT CONNECTION TO THE HINGE

Transform your 180° hinge into a self-closing solution thanks to our Rhino hydraulic gate closer. The direct connection to the Locinox hinge guarantees the discreet look and efficient transmission of the energy required to close the gate perfectly. The aluminium powdercoated housing ensures a corrosion-free existence and smooth operation in any weather. The Rhinodrill jig guarantees an extremely efficient installation.



- ✓ 180° hydraulic gate closer with adjustable speed and final snap
- ✓ Constant closing speed in hot or cold weather
- ✓ Compact & elegant design
- ✓ Powdercoated aluminium housing
- ✓ To connect directly to the 180° hinge M16 or M20 (GBMU & GBMU4D)
- ✓ M16 or M20 eyebolt set with ball bearing recommended (1034-ROLL-HDG)
- ✓ Integrated pre-tension for extremely smooth installation
- ✓ For left- or right-turning gates

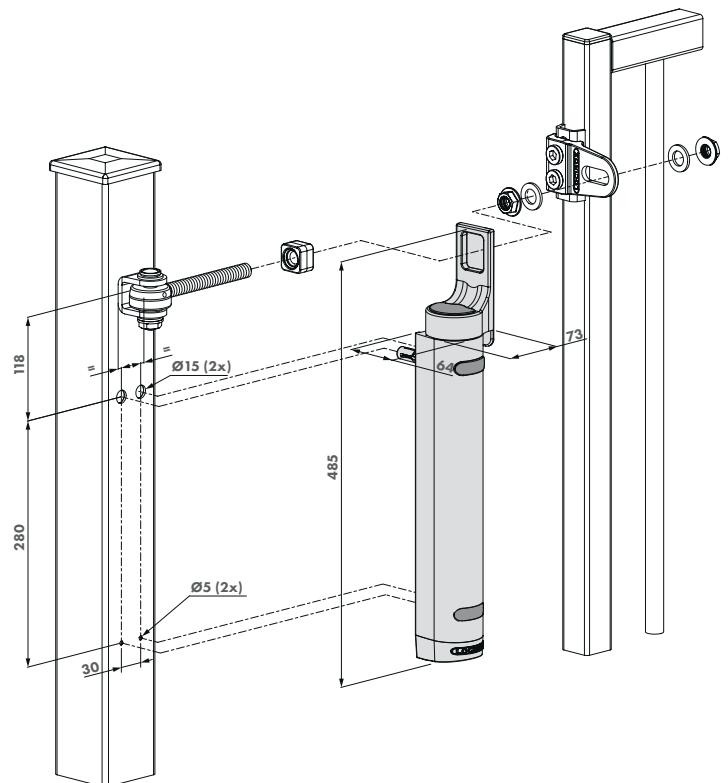
Pick your colour

Order code

ZILV 9005

RHINO

24h SHIPPING



★ Recommended installation tools



RHINODRILL
P. 19



DRILLVISE-2
P. 19



DRILLVISE-4
P. 19

RETRO FIT

NEW



2 railsets included

VERTICLOSE-2 (patented)

POWERFUL ALL-ROUND HYDRAULIC GATE CLOSER FOR 90° AND 180° HINGES

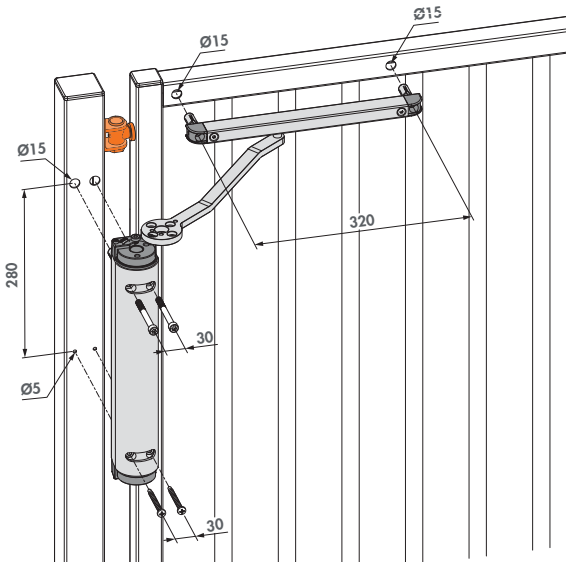
The Verticlose-2 gate closer is top-of-the-range within the Verticlose product series. It is extremely multifunctional and possesses excellent features, which makes Verticlose-2 a perfect fit for both 90° and 180° hinge situations. The integrated pre-tension and continuous adjustability of speed and final snap, combined with our Quick-fix mounting system, guarantee a quick and efficient installation. The aesthetic powder coated aluminium gate closer with high-tech internal components ensures a very long life span. We highly recommend the Lion-VTC Drill for an even more efficient installation.



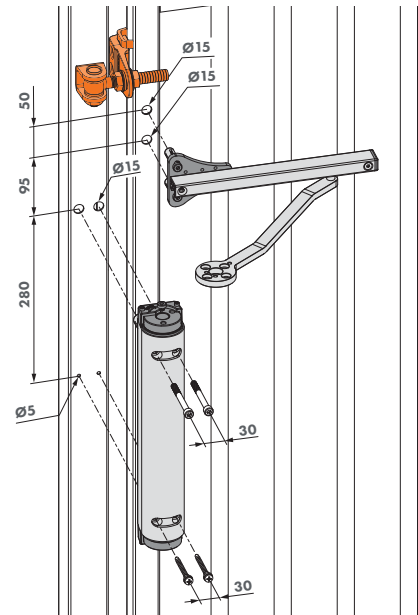
- ✓ Gate closer with adjustable closing speed and final snap
- ✓ 2 railsets included: 90° and 180°
- ✓ Elegant and compact design
- ✓ Powdercoated aluminium housing
- ✓ Integrated pre-tension for extremely smooth installation
- ✓ Closing force over the full 180° opening angle
- ✓ The Lion-VTC Drill is recommended for a quick and easy installation
- ✓ Firmly fixed with the patented Quick-Fix mountings



90°



180°



★ Recommended installation tools

Pick your colour

Order code

ZILV 9005

VERTICLOSE-2

24h SHIPPING

ZILV

VERTICLOSE-2 WALL

24h SHIPPING



LION-VTC DRILL

P. 18



DRILLVISE-2

P. 19



DRILLVISE-4

P. 19

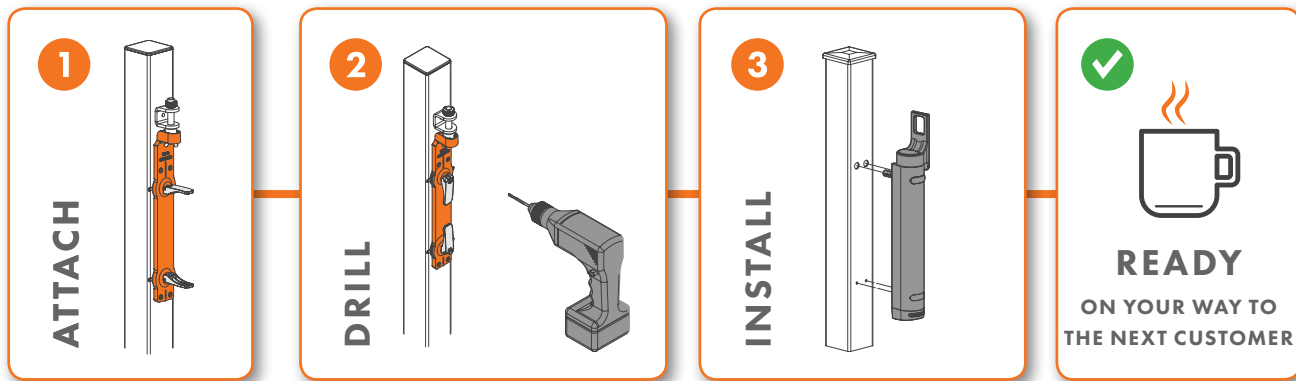
VERTICLOSE-2 WALL

ALSO AVAILABLE FOR
WALL INSTALLATIONS



DRILLING JIGS

INSTALL AT DOUBLE SPEED AND EXTREMELY ACCURATE



TIGERDRILL

INSTALLATION AND DRILLING JIG FOR TIGER GATE CLOSER

Tool case with installation and drilling jig to perfectly align and install the Tiger gate closer and its Puma hinge. This tool guarantees a perfect alignment and a fast and easy installation.



- ✓ Sturdy plastic box with compartments
- ✓ Recommended to combine with DrillVise-4
- ✓ 2 supplied drills: Ø5 mm / Ø15 mm
- ✓ Spare set with 10 Quick-Fix expanders
- ✓ Includes accessories for mounting and adjustment of the Tiger

NEW LION-VTC DRILL

INSTALLATION AND DRILLING JIG FOR LION AND VERTICLOSE-2 GATE CLOSERS

Tool case with required tools and jigs for fast and efficient installation of the Lion or Verticlose-2 gate closers. The Lion-VTC Drill guarantees a perfect alignment of the gate and the gate closer. Don't measure anymore - all you need to do is attach, drill and install - that's it! Highly recommended.



- ✓ Sturdy box with compartments
- ✓ Spare set with 10 Quick-Fix expanders
- ✓ 2 supplied drills: Ø5 mm / Ø15 mm



RHINODRILL

INSTALLATION AND DRILLING JIG FOR RHINO GATE CLOSER

Tool case with installation tools for correct alignment and preparation of the holes for the Rhino gate closer. Rhinodrill ensures a perfect alignment of the Rhino and the hinge.

- ✓ Sturdy plastic box with compartments
- ✓ 2 supplied drills: Ø5 mm / Ø15 mm
- ✓ Includes accessories for mounting and adjustment of the Rhino
- ✓ Positions and aligns the Rhino perfectly with the hinge
- ✓ Spare set with 10 Quick-Fix expanders



DRILLVISE-2

SET OF TENSION CLAMPS FOR FRAME POSITIONING

Useful tool to perfectly position the gate frame within the gate posts when installing hinges, gate closers or other accessories.

- ✓ Sturdy plastic box with compartments to neatly store everything
- ✓ 2 special tension clamps, adjustable from 30 to 120 mm, equipped with support plates to position the gate frame
- ✓ Strong steel clamp with padding to avoid damage
- ✓ Spare set with 10 Quick-Fix expanders



DRILLVISE-4

TOOLBOX WITH 4 TENSION CLAMPS

Toolbox with set of 4 clamps to fix drill tools and accessories for assembly or installation. Perfect when combined with Tigerdrill to install the Tiger gate closer.

- ✓ Sturdy plastic box with compartments to neatly store everything
- ✓ 4 special tension clamps, adjustable from 30 to 120 mm
- ✓ Strong steel clamp with padding to avoid damage
- ✓ Soft plastic surfaces ensure a firm grip while avoiding damage to the gate.

	SAMSON-2	TIGER	MAMMOTH	LION	RHINO	VERTICLOSE-2	VERTICLOSE-2 WALL
TIGERDRILL		✓					
LION-VTC DRILL				✓		✓	
RHINODRILL					✓		
DRILLVISE-2	✓	✓	✓	✓	✓	✓	✓
DRILLVISE-4	✓	✓	✓	✓	✓	✓	✓

Order code

- TIGERDRILL **24h SHIPPING**
- LION-VTC DRILL **24h SHIPPING**
- RHINODRILL **24h SHIPPING**
- DRILLVISE-2 **24h SHIPPING**
- DRILLVISE-4 **24h SHIPPING**



FORWARD

Innovation as the engine
of your growth



MODULARITY

Designed with flexibility
at every moment



ADDED VALUE

High quality to ensure
your peace of mind



24/7 WEBSHOP

Order when
it suits you



FULL SERVICE

Exceptional
after-sales service



3 YEAR WARRANTY

Sustainable solutions in
the very long term



TRANSPARENCY

A sincere and clear
communication, day after day



RELIABLE

Our promises and
deadlines are always met



LOYAL

Long-term relationships and a
win-win situation for everyone

LOCINOX NV

Mannebeekstraat 21

B-8790 Waregem - Belgium

Tel. +32 (0)56 77 27 66

Fax. +32 (0)56 77 69 26

E-mail: info@locinox.com

Web: www.locinox.com

Locinox  - English